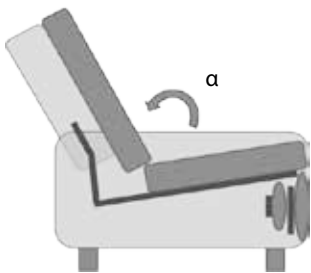


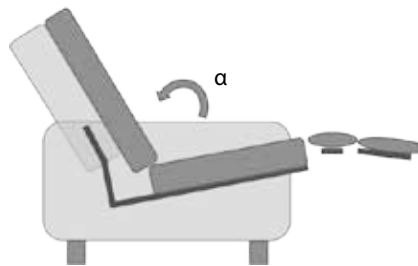


KEY FEATURES & BENEFITS :

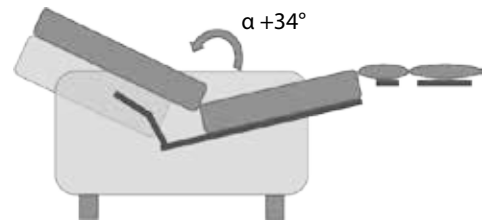
- **Manual** Wood To The Floor mechanism
- **0-wall functionality**
- Low leg mechanism which accommodates a **leg height of max 6cm**
- **115kg** user weight capacity
- **Easy to assemble** the mechanism
- Available with a **lever (plastic or metal)** or **D-ring** with cable and with an **inside handle**
- Available in **different widths** to fit in armchairs and sofas with 2 and 3 places



Closed position



TV position



Full-Recline position

Available sizes*	dash	1 (old 4)	2 (old 4,5)	3 (old 5)	4 (old 6)	5 (old 1)	6 (old 2)	7 (old 3)	8 (old 7)	9 (old 8)	11 (old 9)
	mm	514	540	565	578	594	616	641	708	730	791
	inch	20,25	21,25	22,25	22,75	23,375	24,25	25,25	27,875	28,75	31,125

distance between arm mounting

* Available sizes on demand

ACTIVATION

HANDSET



Plastic lever



D-ring



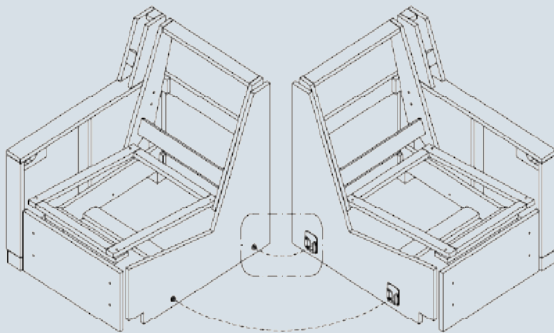
Plastic shallow lever



Metal shallow lever

ACCESSORIES

MODULAR CONNECTING KIT FOR 2/3 SEATER



A



B



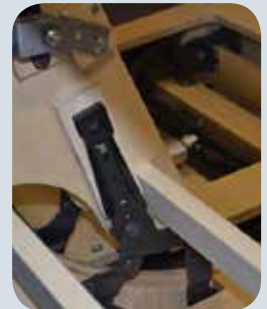
C



D

- A. Connecting plate (J-slot) - 2 pcs
- B. Shoulder bolt - 2 pcs
- C. Steel washer - 2 pcs
- D. T-nut - 2 pcs

BACKREST FIXATION



A



B



C

- A. KD bolt - 4 pcs
- B. Spring nut - 4 pcs
- C. KD Sleeve & clip - 2 pcs

SET FINGER GUARD



Plastic shield - 2 pcs



Black button - 4 pcs